



Life E-Waste Governance  
LIFE14 GIE/SI/000176

**TENDER DOSSIER  
FOR THE PUBLIC INVITATION TO TENDER**

**FOR THE MANUFACTURE OF STREET CONTAINERS  
FOR WASTE ELECTRIC AND ELECTRONIC  
EQUIPMENT**

July 2019



REPUBLIKA SLOVENIJA  
MINISTRSTVO ZA OKOLJE IN PROSTOR



## A. INVITATION TO TENDER

### A.01 INFORMATION ON THE PUBLIC CONTRACT

The contracting entity, the company ZEOS, d.o.o., Šlandrova ulica 4, 1231 Ljubljana Črnuče, hereby invites all interested tenderers to submit their tenders in accordance with the requirements contained in the documentation related to the public invitation to tender (hereinafter: tender dossier) for the »Manufacture of street containers for waste electric and electronic equipment / e-waste« (hereinafter: the containers).

The funds are partially provided within the project LIFE14 GIE/SI/000176 Life E-Waste Governance, within the B2 Street Containers campaign. With the project, the company ZEOS wishes to raise the awareness of the consumers about the importance of correct e-waste and waste battery management, and to present the options of disposal of such waste to the newly-established collection network.

The public procurement has been published on the website [www.e-odpadki.zeos.si](http://www.e-odpadki.zeos.si) and on the website [www.javnirazpisi.com](http://www.javnirazpisi.com).

### A.02 INFORMATION ABOUT THE CONTRACTING ENTITY

The contracting entity is the company ZEOS, d.o.o., Šlandrova ulica 4, 1231 Ljubljana Črnuče.

Contact persons: Branka Biček Bizant, [branka.bicek@zeos.si](mailto:branka.bicek@zeos.si), T: 01/366 8561  
Uroš Škapin, [uros.skapin@zeos.si](mailto:uros.skapin@zeos.si), T: 01/366 8509

### A.03 INFORMATION ABOUT THE TENDERERS

Tenders must be prepared entirely in accordance with the requirements set out in this tender dossier. Any tender that is submitted on time and for which it is established, after opening and examining the tenders, that it fully satisfies all requirements contained in the tender dossier, will be considered complete.

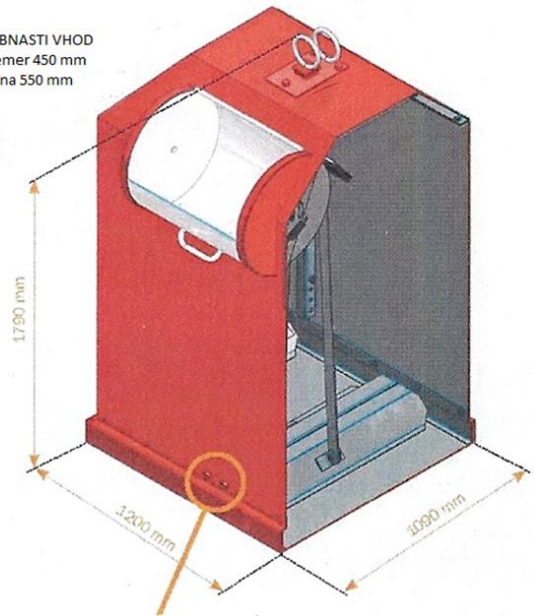
Any legal or natural person registered for the activity constituting the subject matter of the invitation to tender may participate in the public tender as a tenderer.



## A.04 TENDER DOSSIER

### TECHNICAL SPECIFICATION for the manufacture of containers:

Outer dimensions H×W×L (mm)	1790×1200×1200	BOBNASTI VHOD premer 450 mm širina 550 mm
Volume (m <sup>3</sup> )	2.15	
Weight (kg)	290	
Load-bearing capacity (kg)	880	
Reception chamber W × diameter (mm)	495×447	
Opening for emptying (mm)	495×390	
Opening for batteries (mm)	35×65	



### DESIGN

Outer shell of the container	Hot dip zinc coated steel sheet, 3 mm thick.
Door for emptying at the bottom	Two-part door made of hot dip zinc coated steel sheet, the bottom is trough-shaped.
Chamber for reception of e-waste	Stainless steel, with handle for opening, 2 mm thick.
Finishing	Outer surfaces of the container with one-layer synthetic anti-corrosive paint.

### SAFETY

Container	Fixed lifting ear at the top of the container, at the reinforced spot intended for lifting the container, and movable lifting ear with a bar for opening the container's bottom door for emptying the container.
Chamber for reception of e-waste	The chamber must close automatically. It shall be rendered impossible to reach into the container behind the reception chamber. Looking inside the container shall be rendered impossible as well.

### EMPTYING OF THE STREET CONTAINER

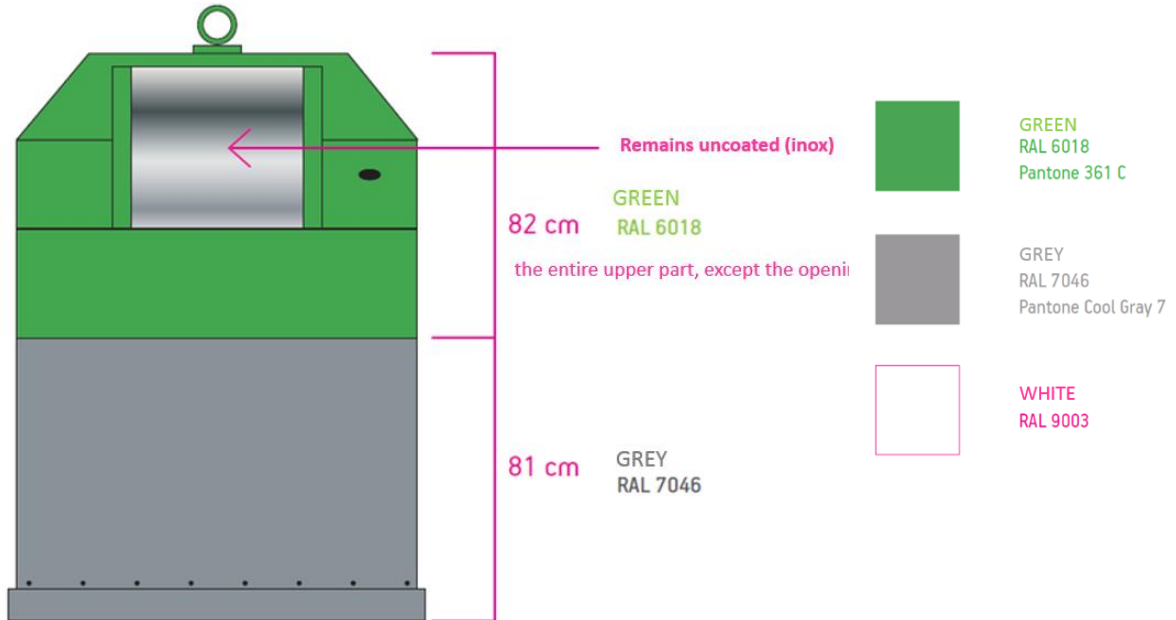
Emptying of the contents is done by opening the door for emptying at the bottom of the container. The emptying procedure must be easy and fast. The door must open and close smoothly.

For the purpose of designing the product and elaboration of technical documentation, the contracting entity shall provide the tenderer with a sample container.

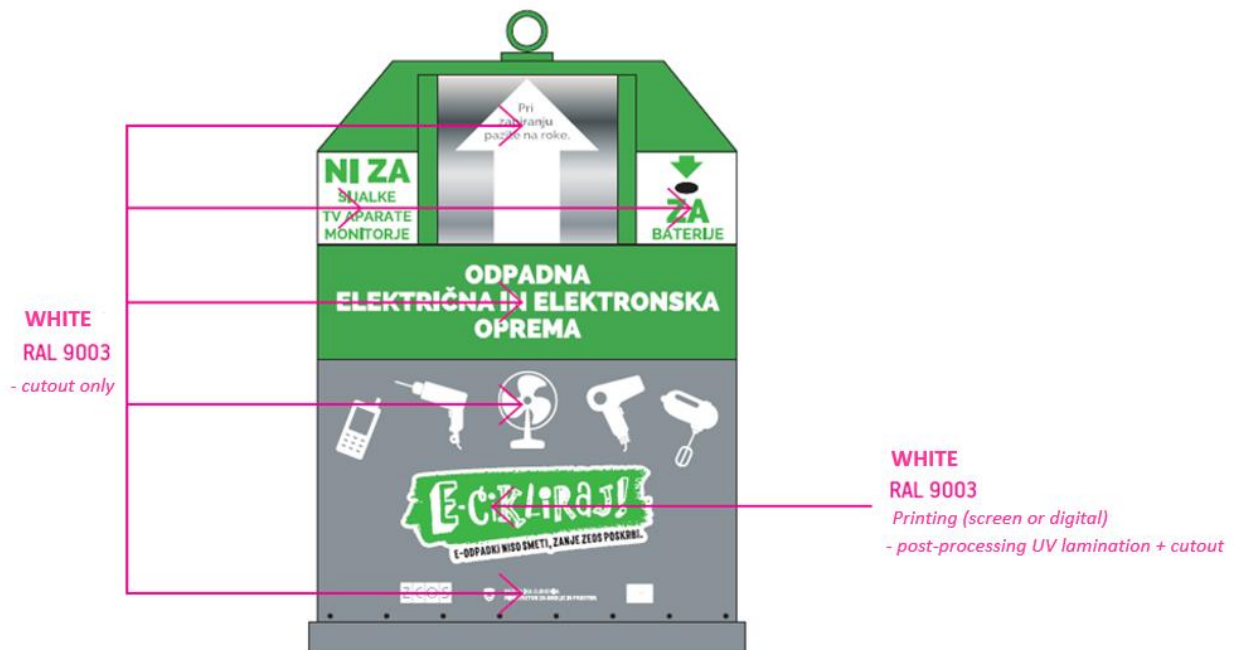
# E-CIKLIRAJ!

## EXTERNAL APPEARANCE OF THE CONTAINER:

External anti-corrosion protection of the container is two-colour powder coating following the RAL chart below.

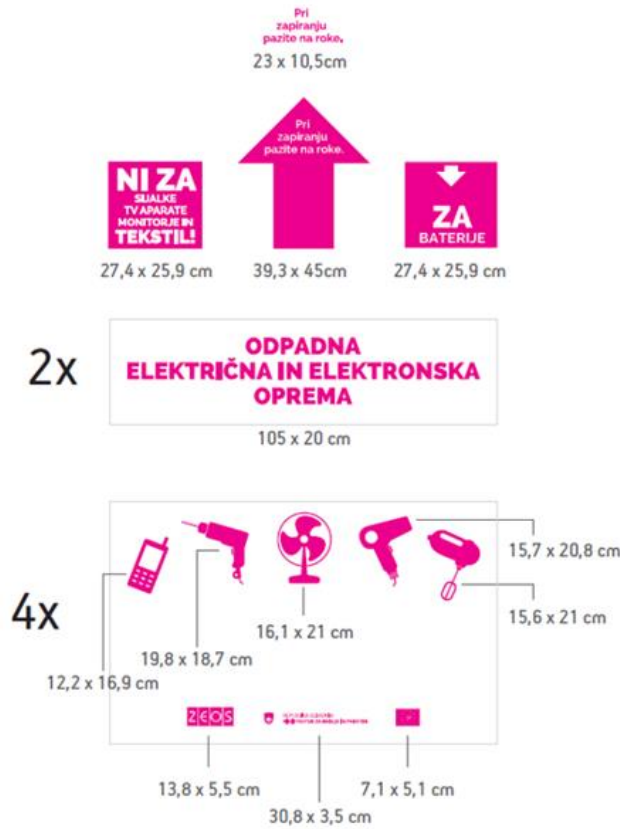


The rest of the pictograms on the container are LABELS IN WHITE (RAL 9003) COLOUR



# E-CIKLI RAJ!

Bela RAL 9003  
scale 1:10



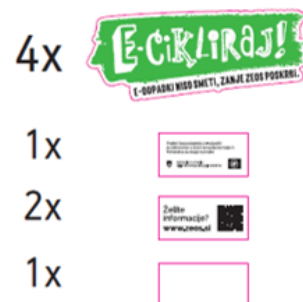
Printing (screen or digital)

- post-processing UV lamination + cutout



Printing (screen or digital)

- post-processing UV lamination + cutout





## **QUANTITY:**

In the first phase, we will carry out the procurement of 36 pieces of containers. In the second phase, we will order - according to our needs - 400 pieces of containers.

## **REQUIREMENTS:**

- Manufacture of equipment according to the latest technical knowledge and installation of the latest technical improvements.
- Manufacture of equipment for safe operation according to the applicable norms.
- Enabled drainage of stormwater or condensate from the container.
- Flawless operation of the chamber for the reception of e-waste and of the mechanism for opening/closing the chamber on the container.
- Suitability of labels for outdoor use with 7-year UV resistance.
- Strong attachment of the handle (stainless steel) on the chamber for reception of e-waste.
- Provision of spare parts for 10 years after the supply.
- Suitable anti-corrosion protection.
- Provision of a 2-year general warranty for the equipment, a 10-year warranty for surface coating (lacquer), a 7-year warranty for labels.
- The tender must include information on the type and thickness of the material for the reception chamber and the container.
- The tender must include packaging of containers / packaging material (wooden pallets).
- Delivery of containers to the address: Gorenje 16a, 3327 Šmartno ob Paki.
- Validity of tender: 2 months.

### **A.05 SUBMISSION OF TENDER**

The tender must be submitted in a sealed envelope to the address: ZEOS, d.o.o., Šlandrova ulica 4, 1000 Ljubljana. The envelope must be marked with a label that reads "**DO NOT OPEN - TENDER**". The envelope must bear the Sender's /Tenderer's address on the reverse.

The tender is deemed to have been submitted on time if received by the contracting entity by no later than **14:00 hours** on **3 September 2019**. After the expiry of the tender submission deadline, it will no longer be possible to submit any tenders.

### **A.06 EXAMINATION OF TENDERS**

Examination of received tenders will be conducted on **3 September 2019** at **14:30 hours**. To execute the public invitation to tender, the contracting entity will, while taking into account the meeting of conditions and requirements set out in this tender dossier, select the tenderer by using the criterion - **LOWEST PRICE PER PIECE OF CONTAINER**.

The Contracting Entity reserves the right to amend the scope of intended works.  
The Contracting Entity reserves the right not to select any of the tenderers.

### **A.07 DEADLINE FOR EXECUTION OF WORKS**

The deadline for the manufacture of 36 pieces of street containers shall be 2 months after signing the contract.

### **A.08 ADDITIONAL EXPLANATIONS TO TENDERERS**

Explanations of the tender dossier may be requested through contact persons.



REPUBLIKA SLOVENIJA  
MINISTRSTVO ZA OKOLJE IN PROSTOR

# E-CIKLIRAJ!

The Contracting Entity shall reserve the right to partially amend or supplement the tender documents and, if necessary, to extend the deadline for the submission of tenders. Any information provided by the contracting entity to the tenderers shall be deemed as amendment, supplement or explanation of the documentation related to the public invitation to tender if it is clear from the content of the information that this documentation is being amended or supplemented by such information or if the explanation eliminates the ambiguity of an indication in this documentation.

